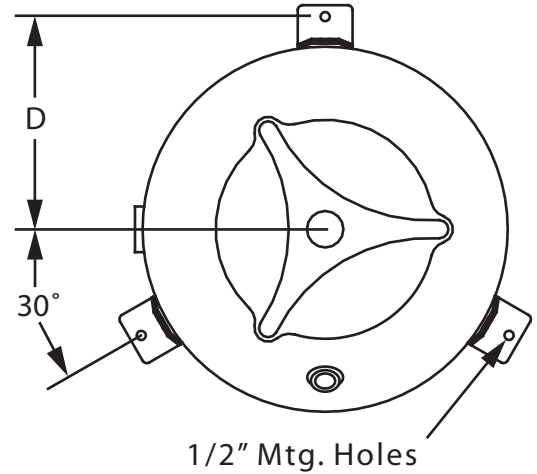
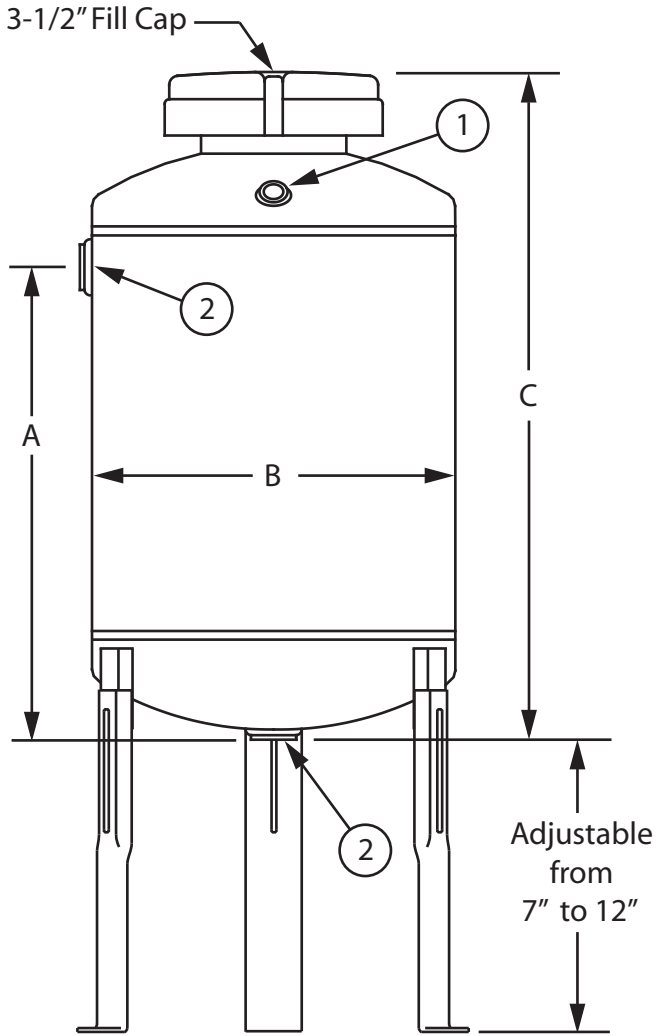


ector Industries, Inc.

W220 N1560 Jericho Court, Waukesha WI 53186

Fleck Closure Style Bypass Filter Feeder

(Filter Conversion Kit Optional)



- ① 1/4" Female NPT Fitting
- ② 3/4" Female NPT Fitting

Model	Approx. Capacity	A	B	C	D	Shipping Weight
FA-700	2 Gallons	12"	7"	17-1/2"	N/A	19 lbs
FA-700AL	2 Gallons	12"	7"	17-1/2"	4-1/2"	22 lbs
FA-1000	5 Gallons	13"	10"	19-1/2"	N/A	27 lbs
FA-1000AL	5 Gallons	13"	10"	19-1/2"	6"	32 lbs

Max operating specifications of 200psi (13.8bar), 200°f (93°c)
Models with "AL" suffix include adjustable leg set (AL105)

